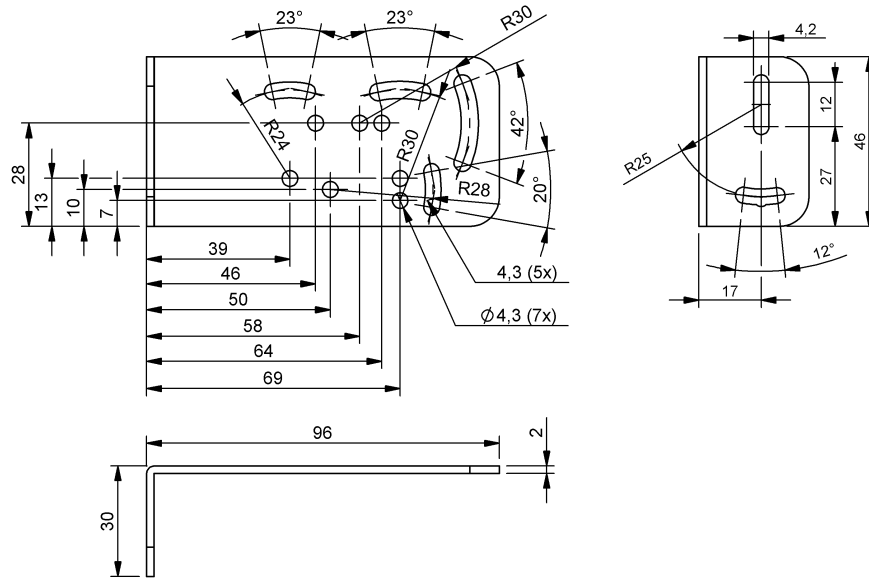


Fastening Technology
BAM MB-XO-037-B18-4
Order Code: BAM02ZA



Basic features

Scope of delivery	Mounting brackets
Use	for photoelectric distance sensors BOD 24K
Version	Mounting bracket

Material

Material sensing surface	Stainless steel
---------------------------------	-----------------

Mechanical data

Dimension	30 x 46 x 96 mm
Mounting part	Screw M4